



**Spare parts catalogue**

**ENTRA GRUPP**

**AXLE 26.24\_(CM12903)**

**REF: 371239**

**1.1 Axle housing**

**2.1 Swivel housings and steering cylinder**

**3.1 Bevel gear set**

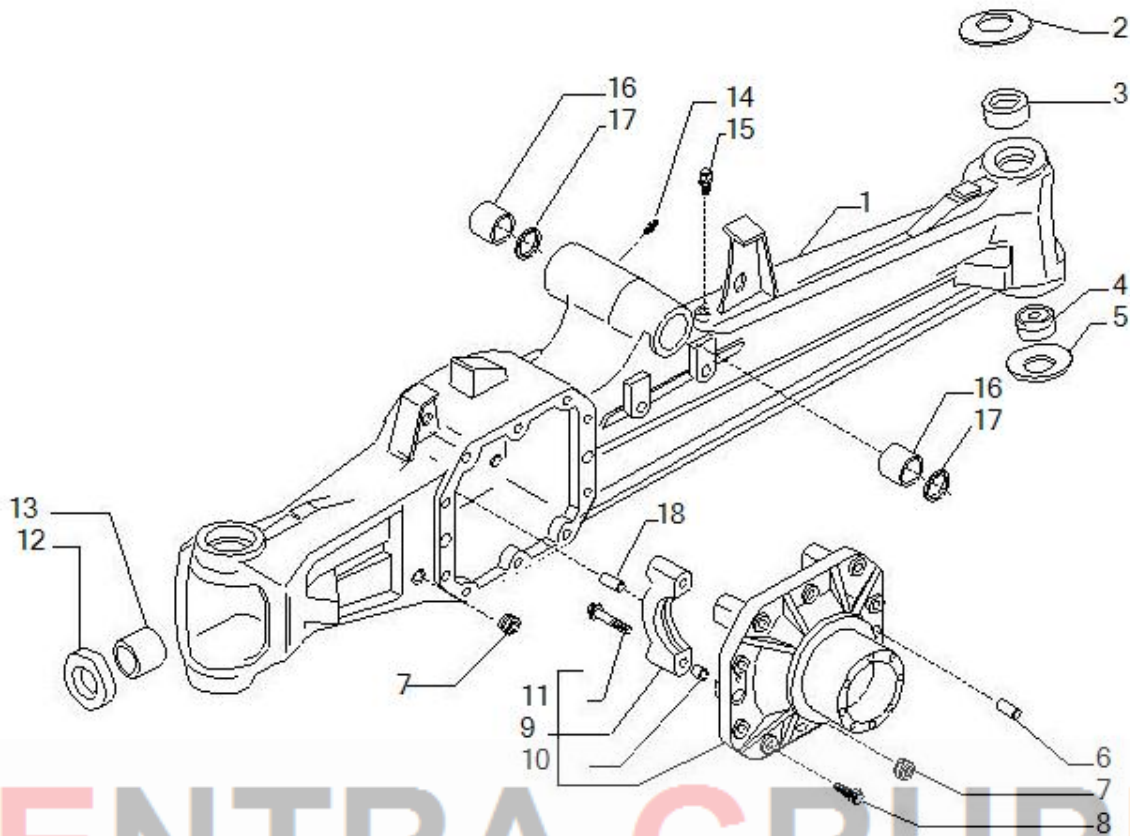
**4.1 Differential**

**5.1 Double U-joint**

**6.1 Wheel hub**

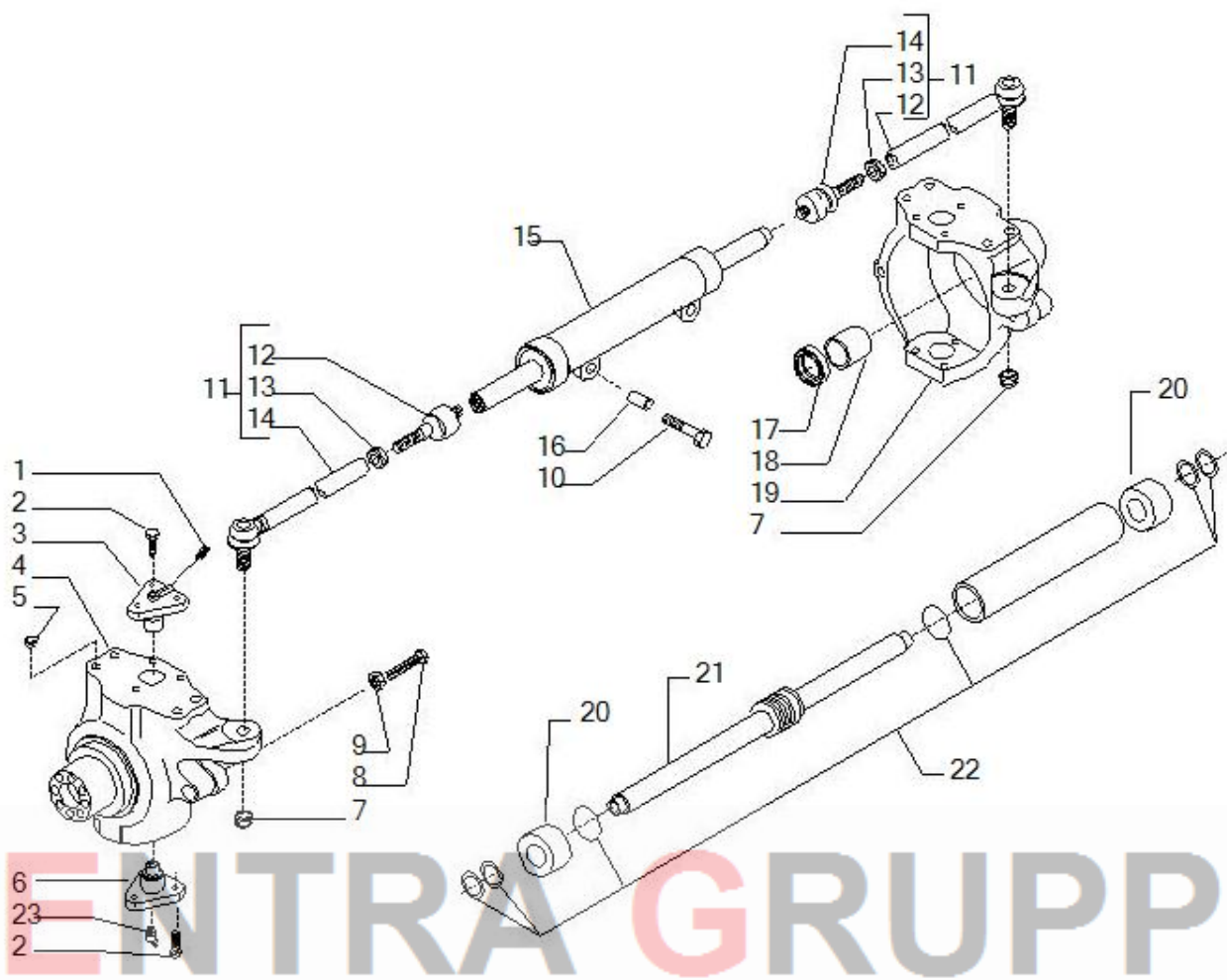
**7.1 Final reduction**

**ENTRA GRUPP**

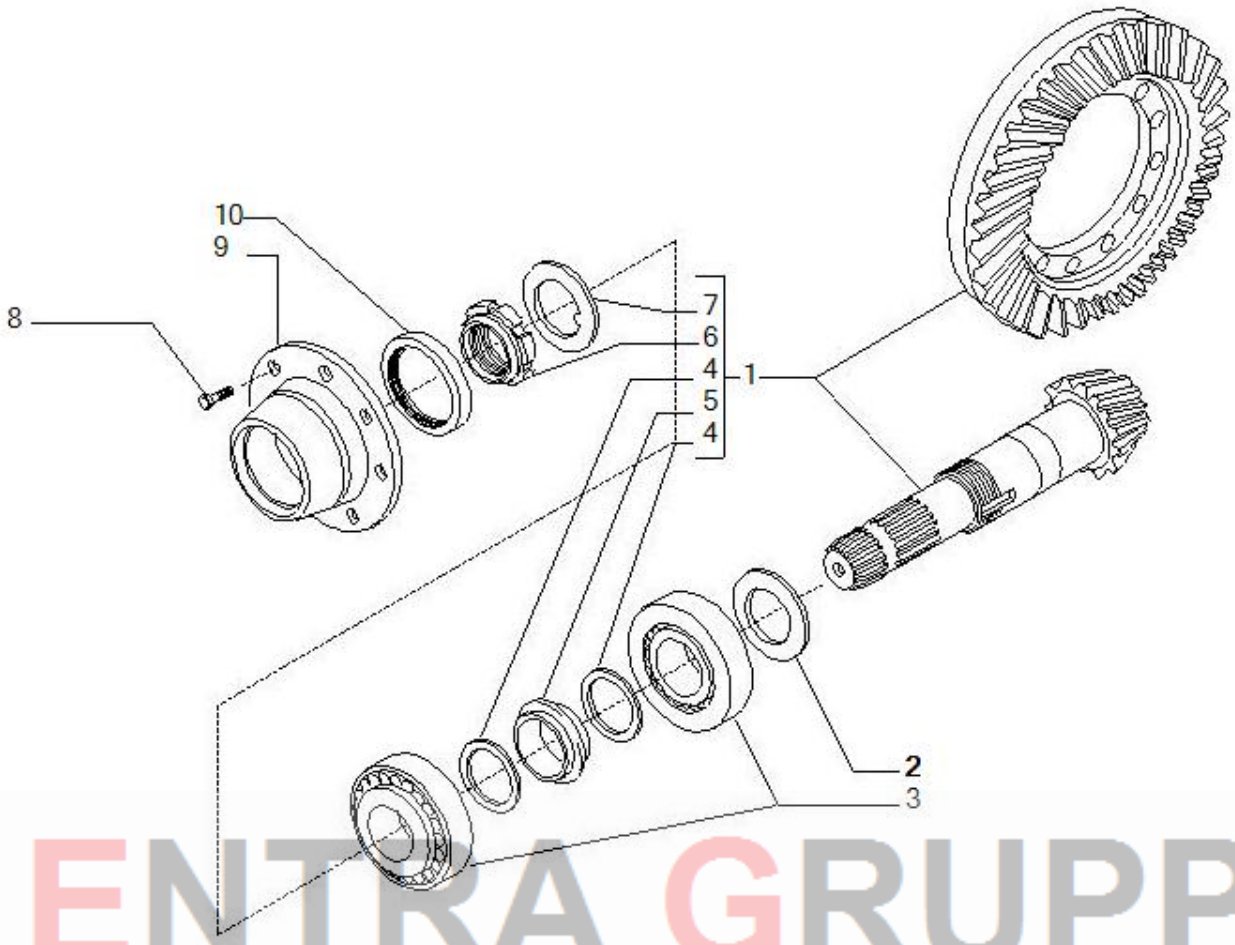


ENTRA GRUPP

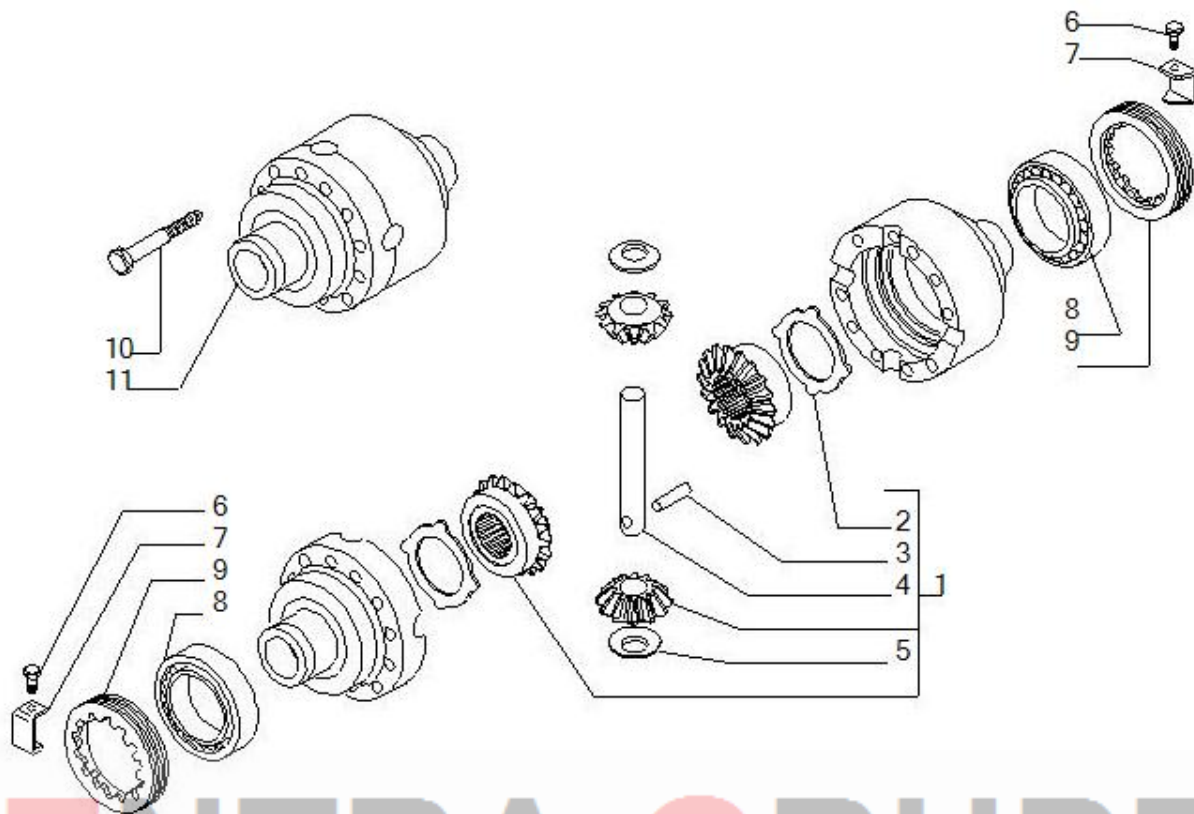
Pos	Ref	Qty	Description	Kit	Note
1	145066	1	BEAM		
2	128633	2	BELLEVILLE WASHER 71X36X2		
3	045168	2	BARREL 35X52X20		
4	045161	2	SPHERICAL BALL 28X52X16 (		
5	128630	2	BELLEVILLE WASHER 70X47.5		
6	087660	2	Pin		
7	092270	2	Oil plug M22x1,5		
8	125827	10	HEX HEAD FLANGE SCREW M12		
9	140077	1	DIFF. SUPPORT (018383)		
10	072235	4	Centering bush	140077	
11	126022	4	HEX HEAD FLANGE SCREW M14	140077	
12	641734	2	SEAL RING 35X52X18.5 SF		
13	109972	2	BUSHING 35X39X35		
14	021558	1	Plug M10x1		
15	104988	1	BREATHER M10X1		
16	147988	2	BUSHING		
17	145106	2	ANELLO TEN. 68/55-5		
18	117339	1	PARALLEL PIN 16X40		



Pos	Ref	Qty	Description	Kit	Note
1	024210	2	Greaser nipple		
2	126922	12	SELF-LOCKING SCREW M14X2X		
3	128880	2	SWIVEL HOUSING KING PIN (		
4	145265	1	SWIVEL HOUSING LH (012775		
5	030755	8	Plug D14.5		
6	128881	2	SWIVEL HOUSING KING PIN (		
7	022431	2	Nut M20x1.5		
8	127223	2	HEX HEAD SCREW UNI 5739 M		
9	022129	2	Nut M16		
10	145073	2	VITE TCE 12.9 M18X2.5X95		
11	145481	2	STEERING ROD		
12	351144	2	BALL JOINT	145481	
13	070787	2	Nut M24x1.5	145481	
14	350878	2	BALL JOINT	145481	
15	147241	1	MARTINETTO INT.63X38X242		
16	141082	1	BUSH 25X18.5X40 20MNCR5		
17	641735	2	SEAL RING 45X60X17 SF		
18	125390	2	BUSHING AB C 45X50X35 P		
19	145264	1	SWIVEL HOUSING RH (012774		
20	049943	2	Cylinder head	147241	
21	049963	1	Rod	147241	
22	049944	1	Oil seal kit	147241	
23	024211	2	Greaser nipple M6x1		

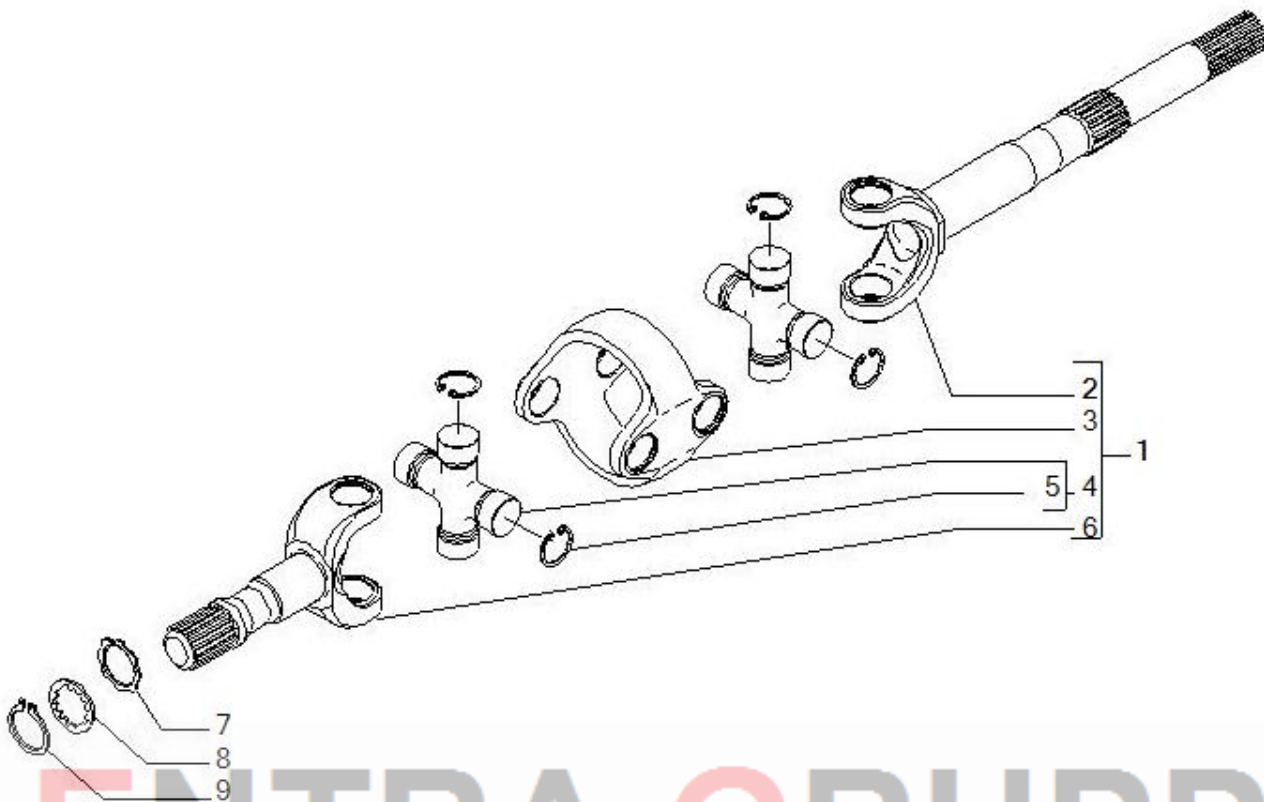


Pos	Ref	Qty	Description	Kit	Note
1	066994	1	Bevel gear/Pinion set 14/31		
3	027350	2	Bearing		
4	125829	2	THRUST SHOE 40.5X50X2	066994	
5	125806	1	ELASTIC SPACER 45X42X22.7	066994	
6	115054	1	RING NUT M40X1.5	066994	
7	113717	1	SAFETY WASHER	066994	
8	020746	6	Bolt M6x16		
9	136868	1	FLANGE (018073)		
10	134363	1	SEAL RING 35X52X16 75 FKM		



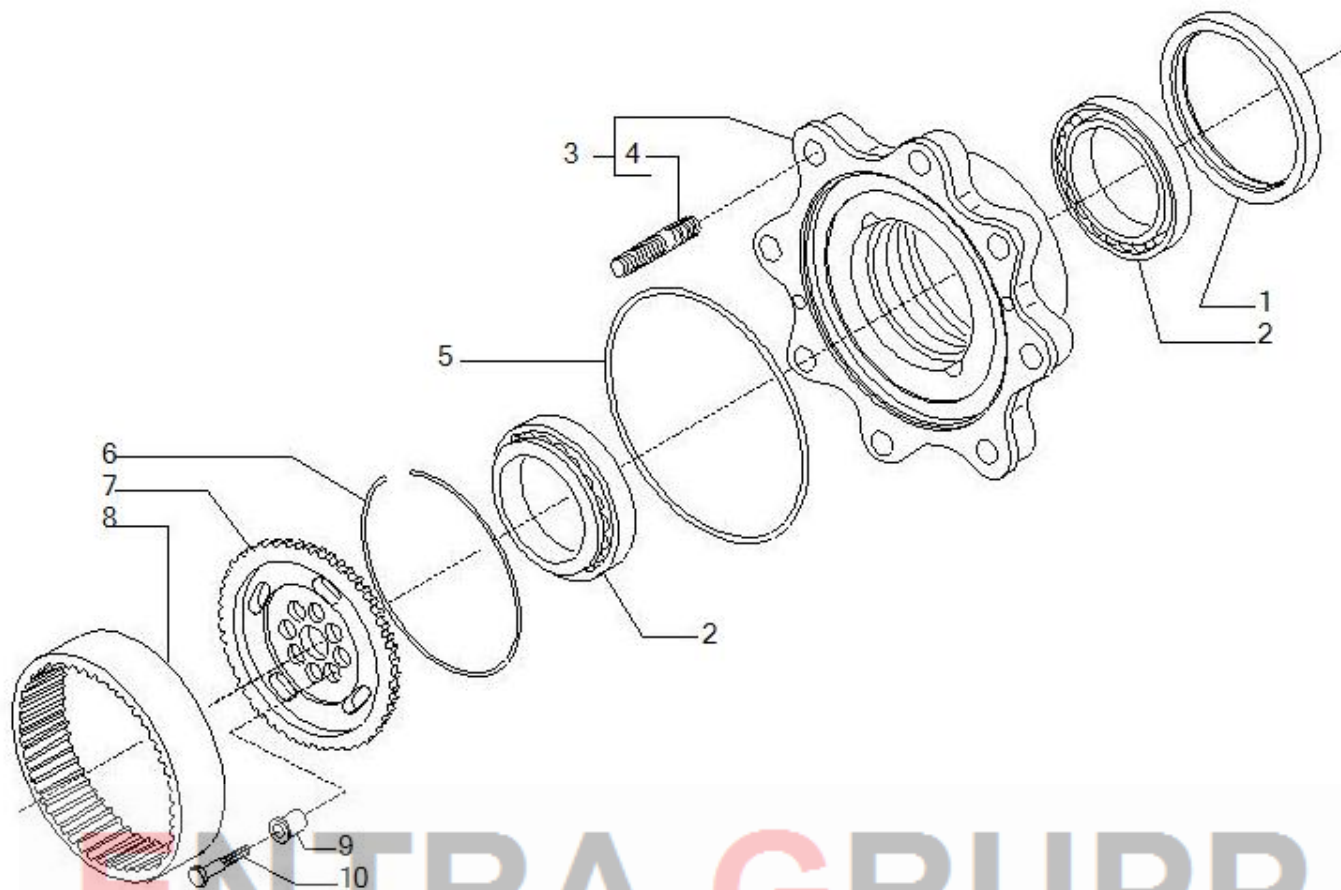
ENTRA GRUPP

Pos	Ref	Qty	Description	Kit	Note
1	066161	1	Differential kit		
2	120361	2	COUNTERPLATE DIFF. LOCKIN	066161	
3	116451	1	PARALLEL PIN UNI 1707 7X4	066161	
4	115731	1	DIFF.PLANET.GEAR PIN L130	066161	
5	115730	2	BUSHING	066161	
6	128440	2	SELF-LOCKING SCREW M6X10		
7	129118	2	RING NUT STOP		
8	027309	2	Bearing		
9	107400	2	RING NUT M94X2 (16988)		
10	125552	12	HEX HEAD SCREW M10X1.5X75		
11	137972	1	COMPLETE DIFF.HOUSING		



ENTRA GRUPP

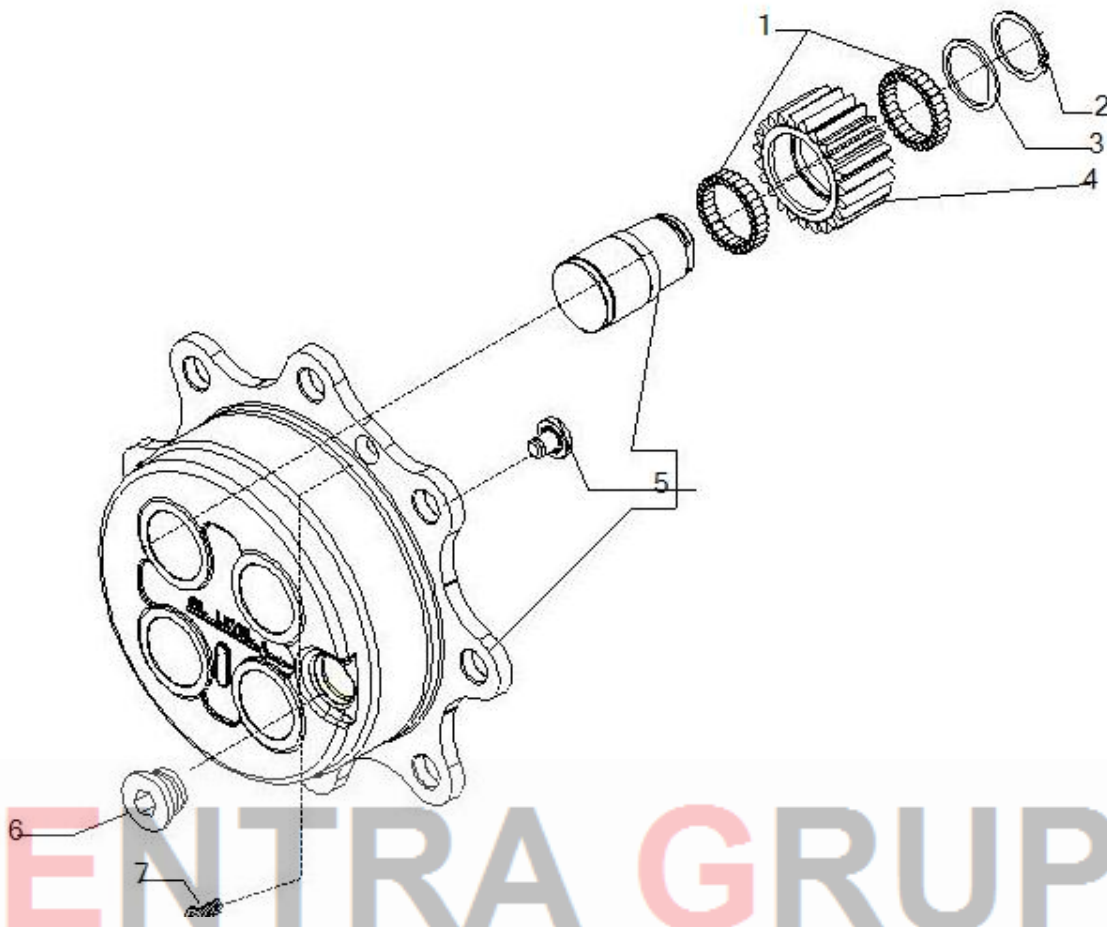
Pos	Ref	Qty	Description	Kit	Note
1	146041	1	DOUBLE U-JOINT		
1b	146040	1	DOUBLE U-JOINT		
2	044168	1	Fork (differential side)	146041	
2b	044167	1	Fork (differential side)	146040	
3	046220	1	Central body	146041	
4	046221	2	Spider	146041	
7	132165	2	THRUST WASHER 45.3X60X2.5		
8	140024	2	WASHER 44.6X52X2.5 C67 UN		
9	024799	2	Snap ring		



ENTRA GRUPP

Pos	Ref	Qty	Description	Kit	Note
	130679	16	STUD 8.8 L76 R18X2.5	066993	
1	047702	2	Seal ring		
2	045180	4	TAPE ROLLER THRUST BEARIN		
3	066993	2	Wheel hub kit		
4	130679	16	STUD 8.8 L76 R18X2.5		
5	028603	2	O.ring		
6	125344	2	CIRCLIP 188.7X3.5		
7	131825	2	EPIC. WHEEL CARRIER HUB		
8	131824	2	EPICYCLOIDAL RING GEAR		
9	141196	16	CENTERING BUSH		
10	140259	16	SELF-LOCKING SCREW M12X45		





<b>Pos</b>	<b>Ref</b>	<b>Qty</b>	<b>Description</b>	<b>Kit</b>	<b>Note</b>
1	028370	448	Bearing needles (by tens)		
2	024793	8	Snap ring		
3	135366	8	FIFTH WHEEL 38.1X45X2.4		
4	135947	8	EPIC.PLANETARY GEAR Z23 M		
5	068732	2	PLANETARY CARRIER KIT		
6	125280	2	MAGNETIC PLUG M30X2		
7	020490	2	Bolt		