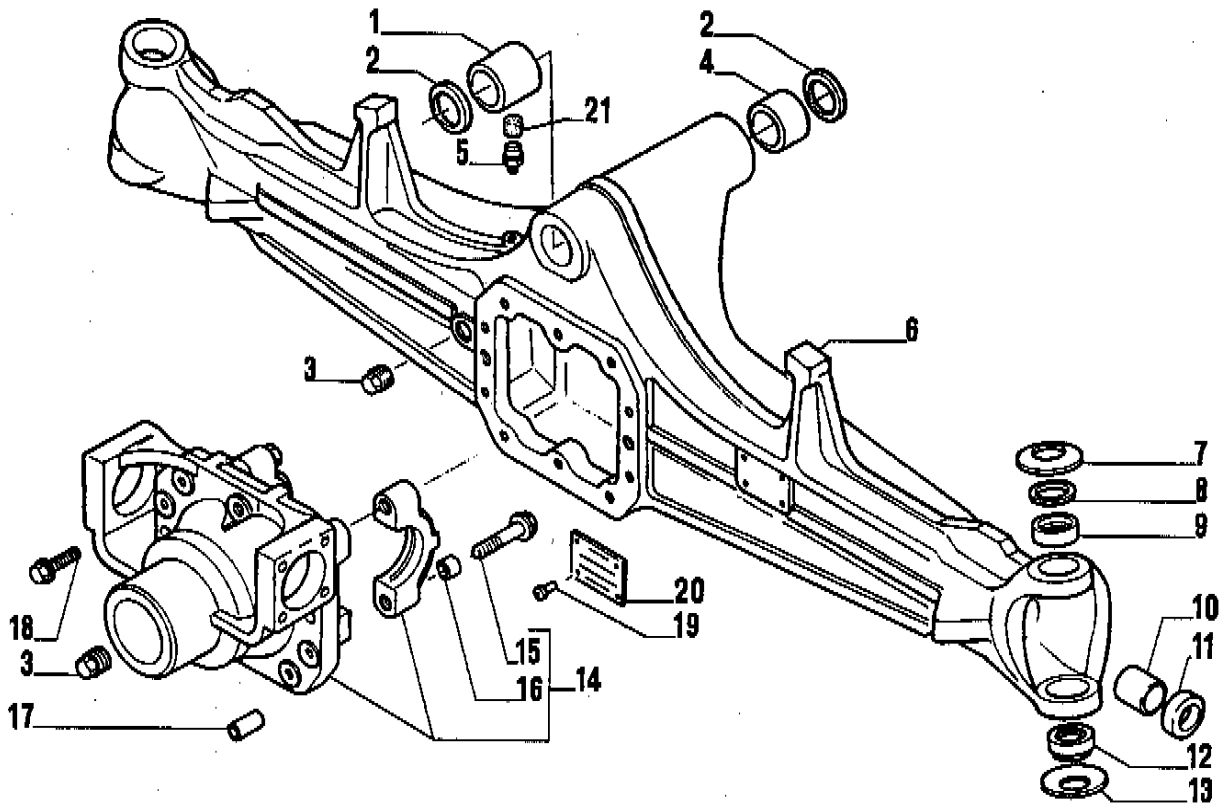


26.18 CARRARO AXLES REF. 131206-131208

SPARE PARTS LIST

INDEX OF PAGES

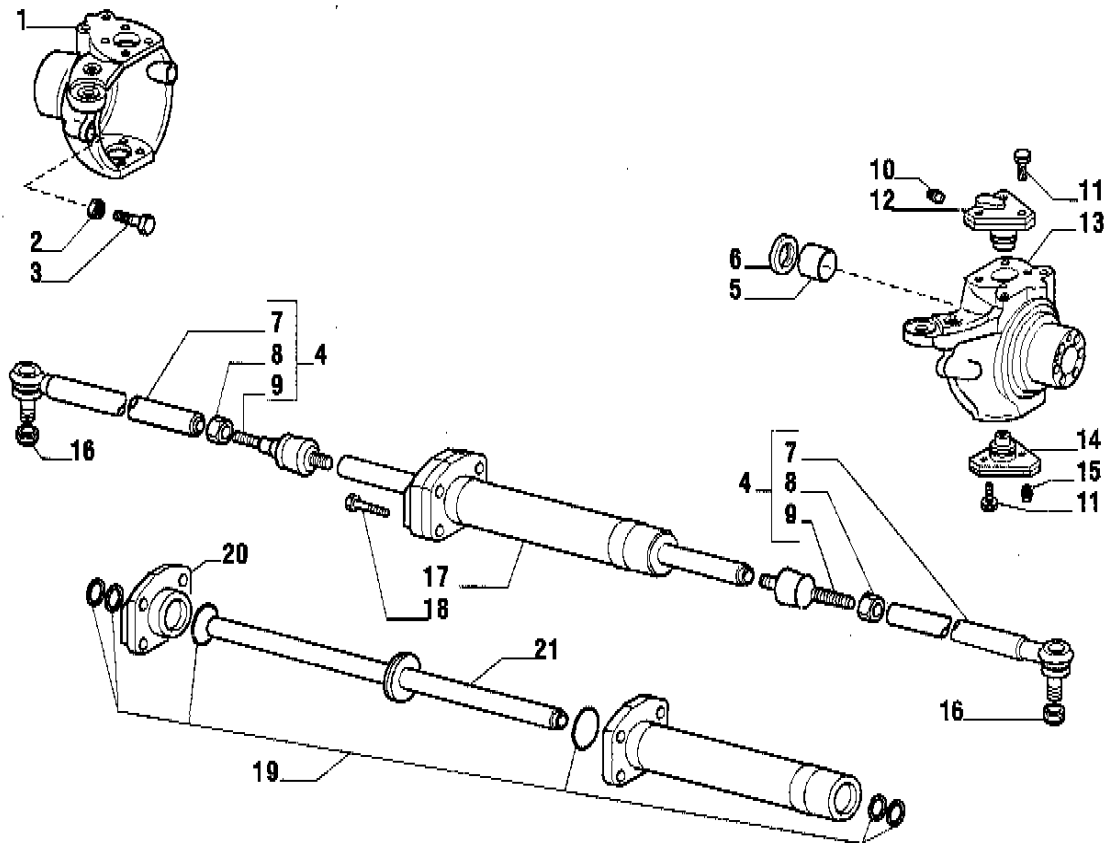
- 1.0 Axle housing
- 2.0 Swivel housing and steering cylinder
- 3.3 Bevel gears/Pinion set
- 4.0 Differential
- 5.0 Drive shafts
- 6.0 Wheel hubs and epicyclic reduction gears

26.18 CARRARO AXLES ref.131206-131208**Axle housing****1.0**

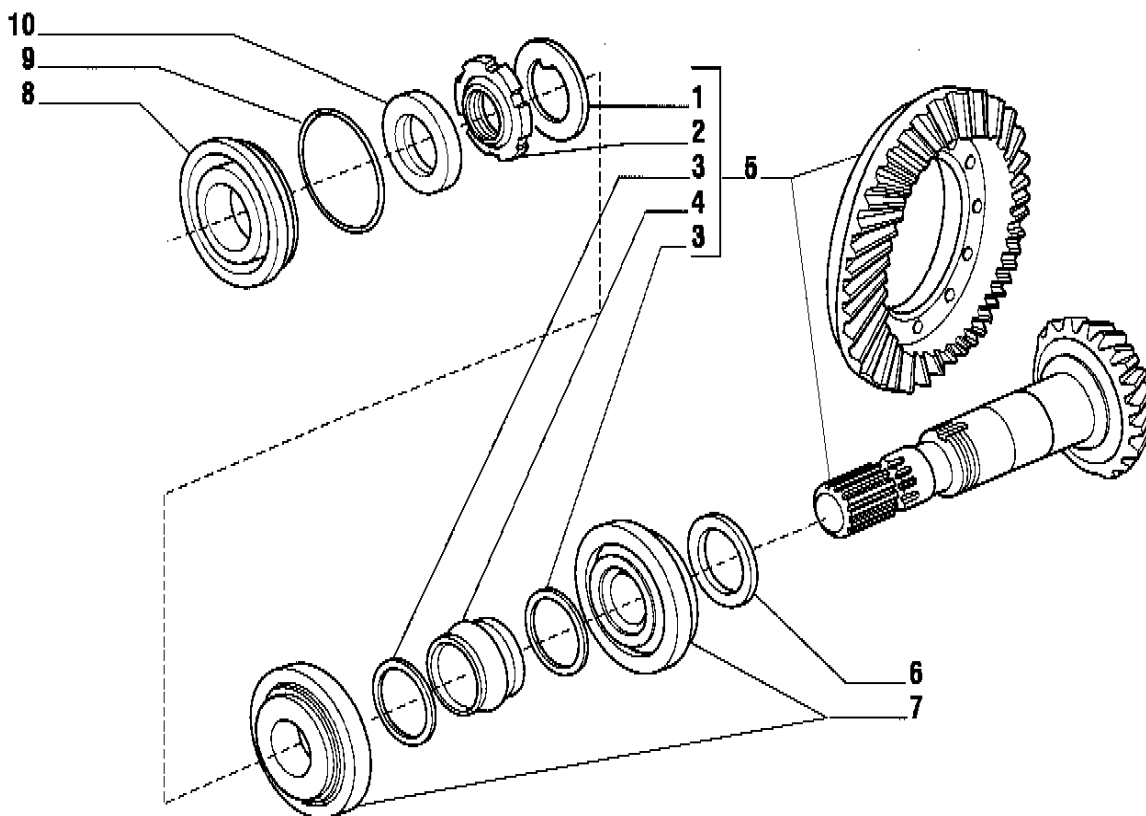
Pos.	Ref.	Q.ty	Description	Pos.	Ref.	Q.ty	Description
1	126610	1	Bush rear				
2	120717	2	Seal				
3	092270	2	Oil plug				
4	126611	1	Bush front				
5	104988	1	Breather M10x1				
6	131496	1	Axle housing				
7	128633	2	Belleville washer				
8	131265	2	Spacer washer				
9	123641	2	Bush				
10	118547	2	Bush				
11	116723	2	Oil seal 42x62x14				
12	123726	2	Spherical bearing				
13	128630	2	Belleville washer				
14	122964	1	Differential support				
15	126022	4	Boit M14x75				
16	072235	4	Centering bush				
17	087660	2	Pin D.15x35				
18	125827	10	Bolt M12x33				
19	023827	4	Rivet D.3,2				
20	123147	1	Plate				
21	130532	1	Protection cover				

Swivel housing and steering cylinder

2.1



Pos.	Ref.	Q.ty	Description
1	138721	1	Swivel housing L.H.
2	022129	2	Nut M.16
3	124748	2	Bolt M16x100
4	123153	2	Steering arm assy
5	109972	2	Bush 35x39x35
6	116722	2	Oil seal 35x52x16
7	048976	2	Steering arm
8	070787	2	Nut M24x1,5
9	049013	2	Ball joint
10	024210	2	Greaser nipple M6x1
11	126922	12	Bolt M14x2x35 (Self lock.)
12	128880	2	King pin
13	138720	1	Swivel housing R.H.
14	128881	2	King pin
15	024211	2	Greaser nipple M6x1
16	022431	2	Nut M20x1,5 (Self lock.)
17	126778	1	Steering cylinder
18	128534	4	Bolt M12x45 (Self lock.)
19	049122	1	Oil seal kit
20	049121	1	Cylinder head
21	049120	1	Rod

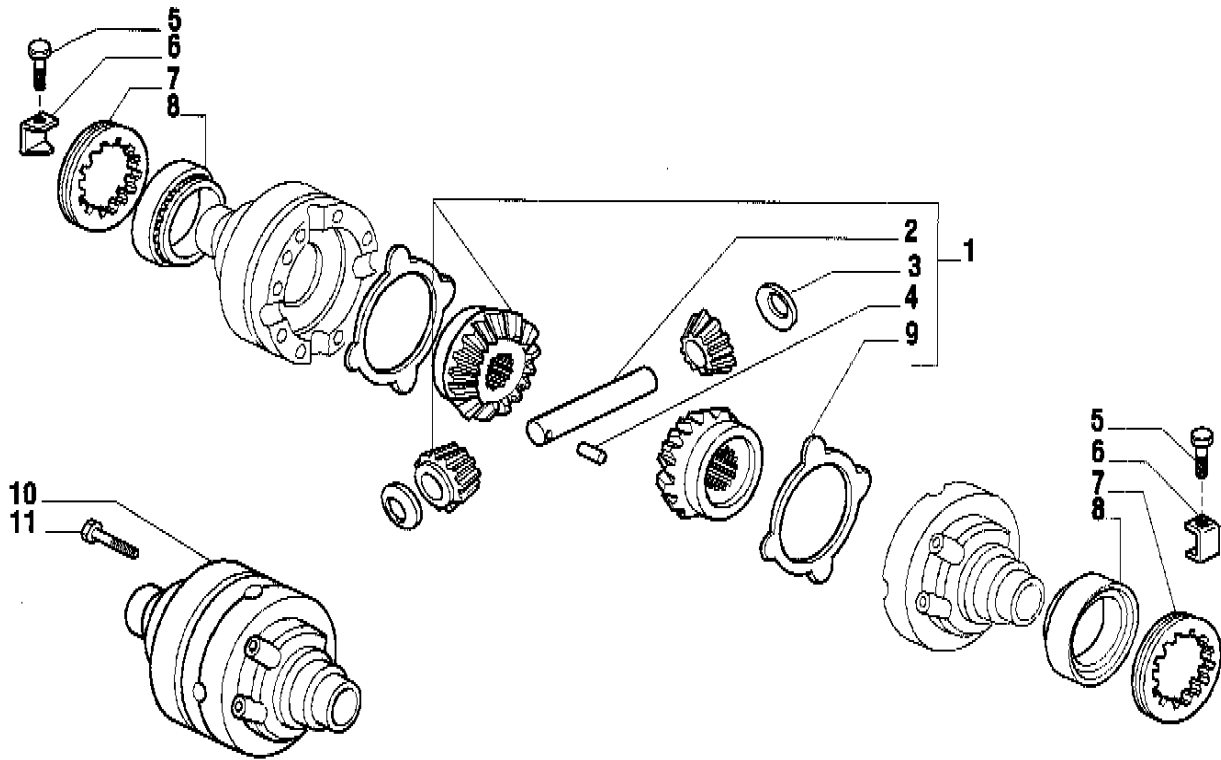
26.18 CARRARO AXLES ref. 131206-131208**Bevel gears/Pinion set****3.3****MOD. N. 6207**

Pos.	Ref.	Q.ty	Description	Pos.	Ref.	Q.ty	Description
1	113717	1	Lockwasher				
2	115054	1	Ring nut M40x1.5				
3	125829	2	Washer 50x40.5x2				
4	125806	1	Collapsible spacer				
5	066072	1	** Bevel gear/pinion set Z=13/30				
5	066073	1	* Bevel gear/pinion set Z=12/33				
6	132265	-	Shim 2.50mm				
6	132266	-	Shim 2.60mm				
6	132267	-	Shim 2.70mm				
6	132268	-	Shim 2.80mm				
6	132269	-	Shim 2.90mm				
6	132270	-	Shim 3.00mm				
6	132271	-	Shim 3.10mm				
6	132272	-	Shim 3.20mm				
6	132273	-	Shim 3.30mm				
6	132274	-	Shim 3.40mm				
7	027350	2	Bearing				
8	129929	1	Cover				
9	028212	1	O.ring				
10	134363	1	Oil seal 35x52x16				

* Only for axle ref. 131208

** Only for axle ref. 131206

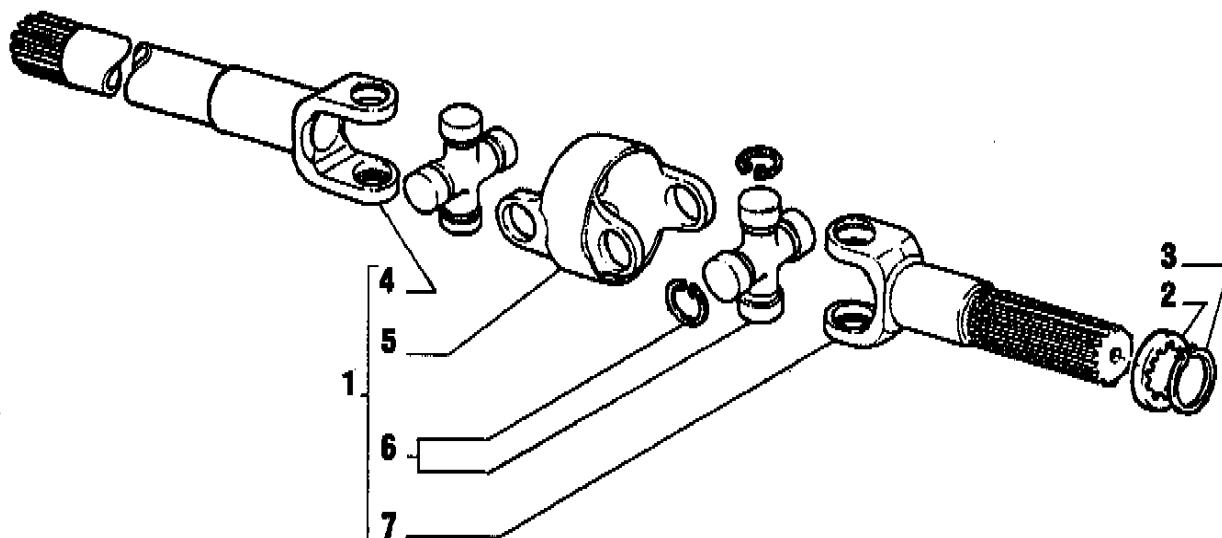
Differential



Pos.	Ref.	Q.	Description	Pos.	Ref.	Q.	Description
1	066161	1	Differential kit				
2	115731	1	Shaft				
3	115730	2	Thrust washer				
4	116451	1	Pin D.7x40				
5	128440	2	Screw M6x10 (Self-locking)				
6	107778	2	Locking plate				
7	107400	2	Ring nut				
8	027309	2	Bearing				
9	120361	2	Thrust washer				
10	137972	1	Differential housing				
11	125562	12	Bolt M10x1,5x75 (Self-locking)				

26.18 CARRARO AXLES ref.131206-131208**Drive shafts****5.0**

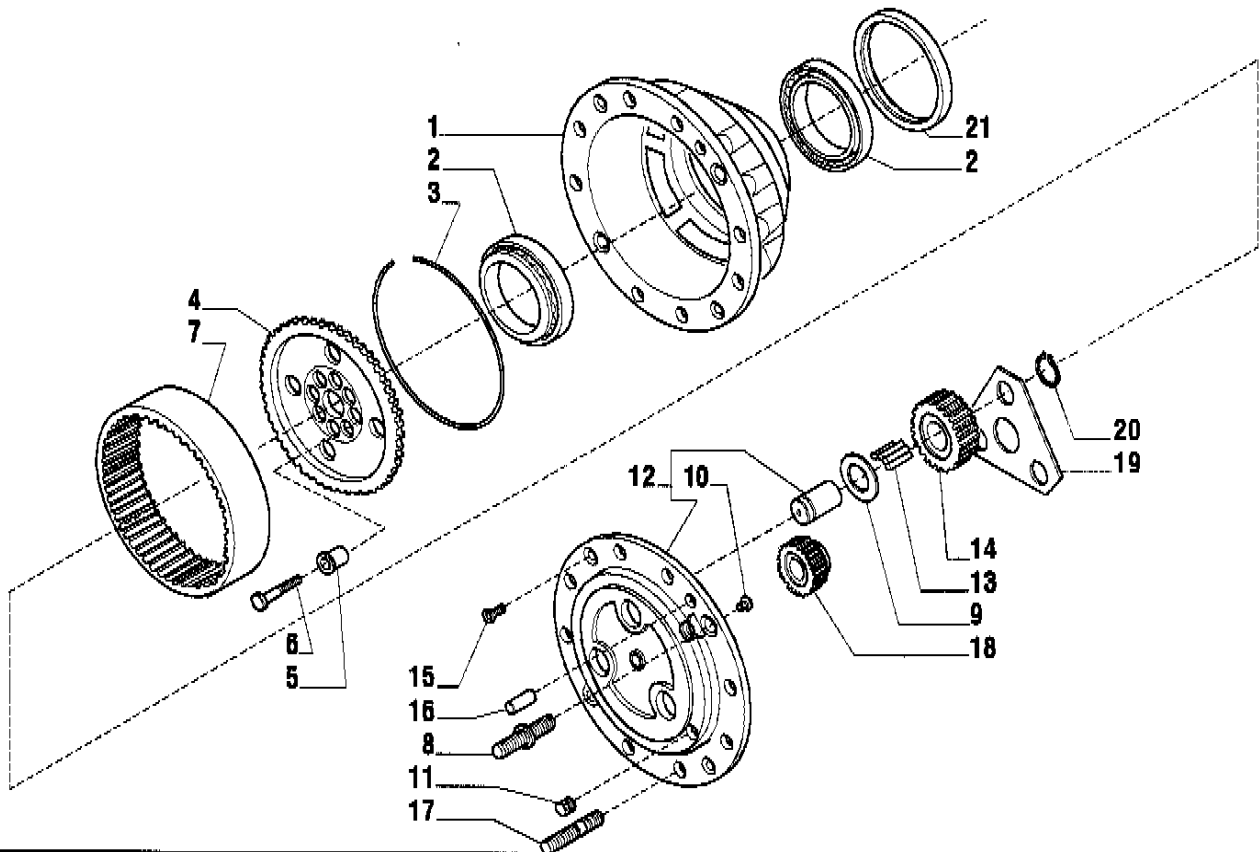
Updated dec. '95



Pos.	Ref.	Q.ty	Description	Pos.	Ref.	Q.ty	Description
1	131561	2	Drive shaft				
2	127592	2	Spacer				
3	024784	2	Snap ring D.29				
4	519060	2	Half shaft (differential side)				
5	519056	2	Central body				
6	040825	4	Spider				
7	519039	2	Half shaft (Wheel side)				

Wheel hubs and epicyclic reduction gears

6.1



Pos.	Ref.	Q.	Description
1	118376	2	Wheel hub
2	118370	4	Bearing
3	125555	2	Lockring
4	138722	2	Wheel carrier
5	125190	8	Centering bush D.20
6	119906	8	Bolt M14x65 (Self lock.)
7	125549	2	Crown gear Z=75
8	106199	12	Stud D.10.9
9	116834	6	Thrust washer
10	115682	2	Pad
11	092270	2	Oil plug M22x1,5
12	066417	2	Planetary carrier assy
13	028284	18	Needle bearing (by tens)
14	115844	6	Planetary gear Z=29
15	020510	4	Screw M12x30
16	115640	4	Pin D18x36
17	120853	4	Stud with collar
18	115643	2	Pinion Z=15
19	116458	2	Thrust washer
20	024789	6	Snap ring D.34
21	047705	2	Cassette seal 150x176x16