



SEPTEMBER '92

# ENTRA GRUPP

26.14 E AXLES ref. 128410 - 128411  
for J.C.B. excavator  
Spare Parts List

**26.14 E AXLES REF. 128410 - 128411****for J.C.B. excavator**

SPARE PARTS LISTS

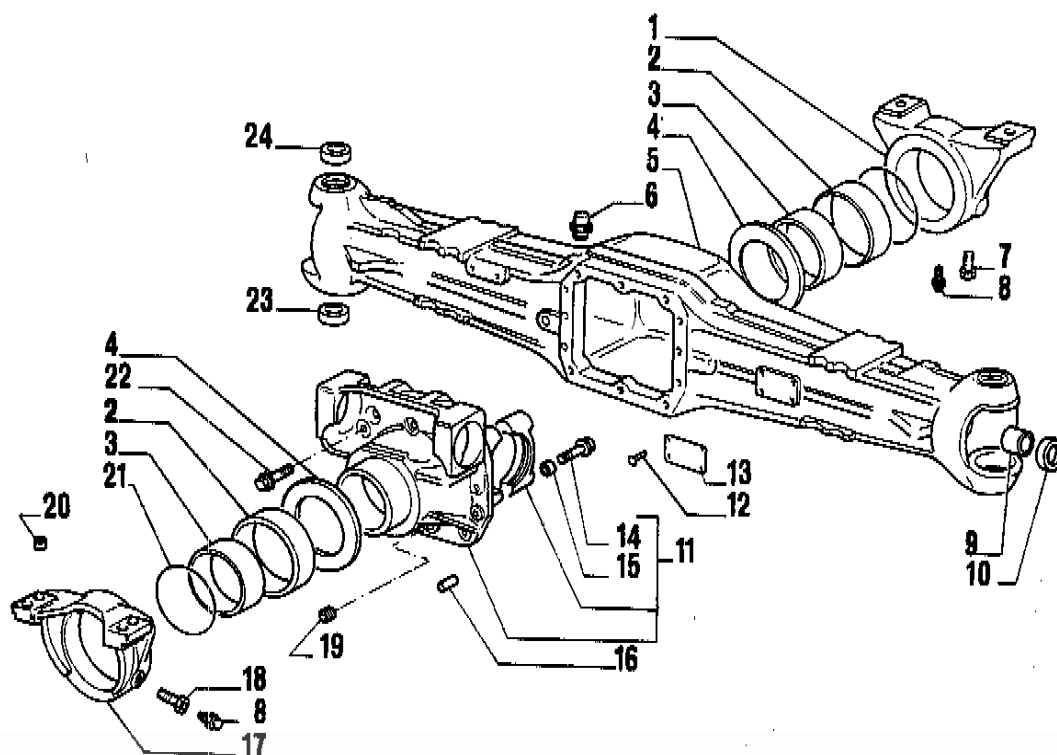
**ENTRA GRUPP**

## INDEX OF PAGES

- 1.0 Axle housing
- 2.0 Swivel housing - steering cylinder
- 3.0 Bevel gear/pinion set
- 4.0 Differential
- 5.0 Drive shaft
- 6.0 Brakes (for axle ref.128410)
- 7.0 Epicyclic reduction gear (for axle ref.128410)
- 8.0 Wheel hub and epicyclic reduction gear (for axle ref.128411)

**26.14 E AXLES ref. 128410-128411****Axle housing**

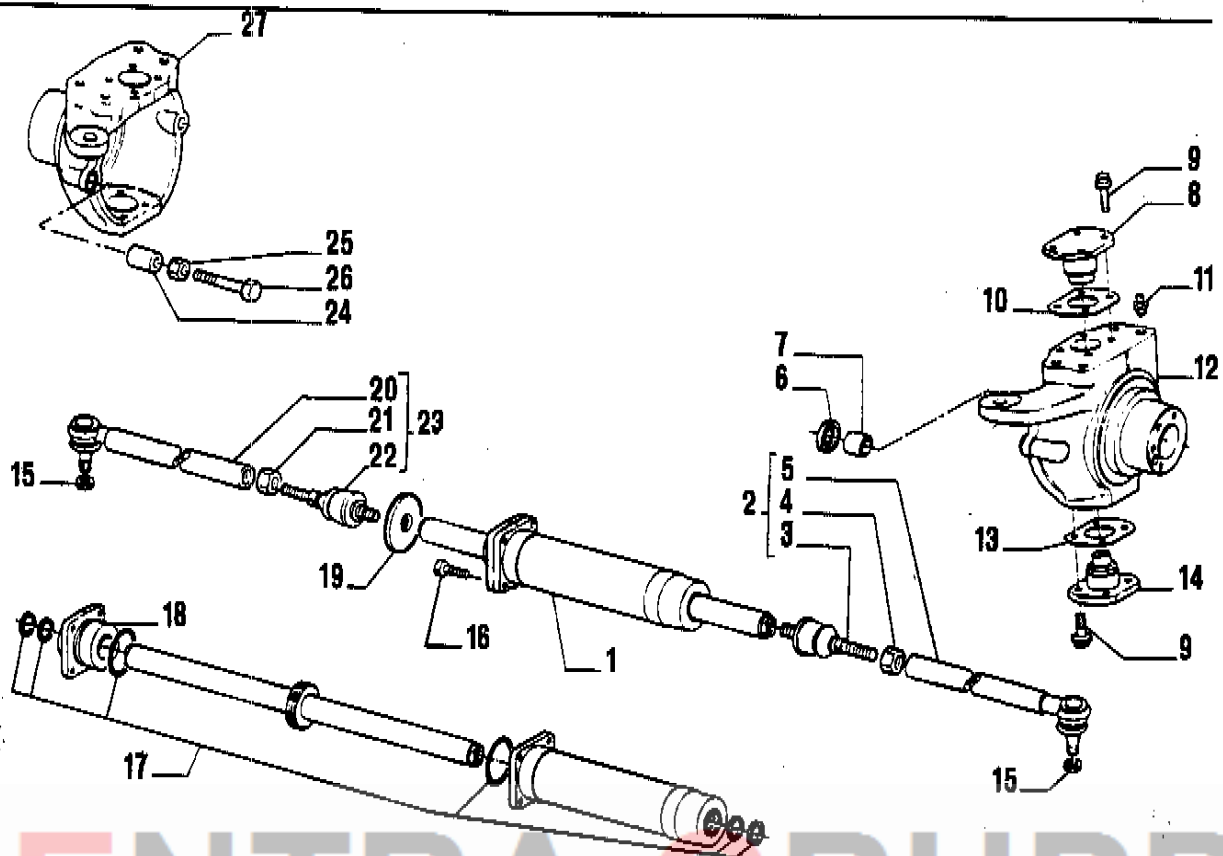
1.0



Pos.	Ref.	Q.ty	Description	Pos.	Ref.	Q.ty	Description
1	119372	1	Front support				
2	101575	2	Outer bushing				
3	101565	2	Inner bushing				
4	115776	2	Thrust washer				
5	129264	1	Axle housing				
6	104988	1	Breather M10x1				
7	120780	1	Bolt				
8	024258	2	Grease nipple M8x1				
9	118504	2	Bush				
10	118516	2	Oil seal 30x40x11				
11	128053	1	Differential support				
12	023827	4	Rivet D.3,2				
13	123147	1	Plate				
14	126022	4	Bolt M14x75				
15	072235	4	Centering bush				
16	087660	2	Pin D.15x35				
17	125451	1	Rear support				
18	115530	1	Bolt				
19	128050	2	Drain plug				
20	116529	4	Centering bush				
21	028103	1	O-ring 2-47				
22	125827	10	Bolt M12x33				
23	027692	2	Spherical bearing				
24	124615	2	Bush				

**26.14 E AXLES ref. 128410 - 128411****Swivel housing - steering cylinder**

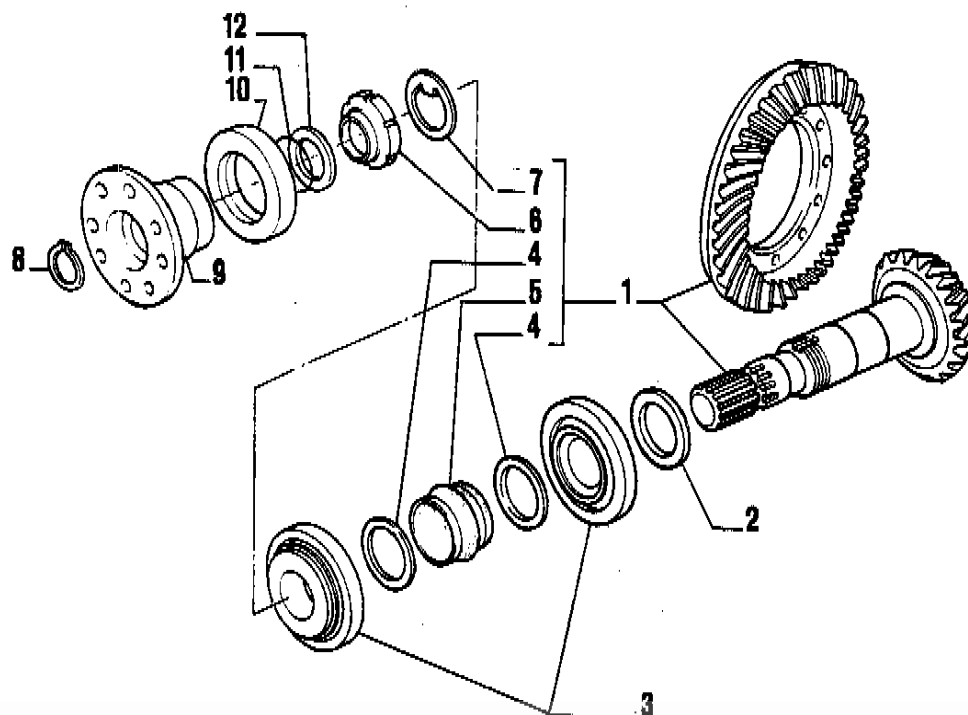
2.0



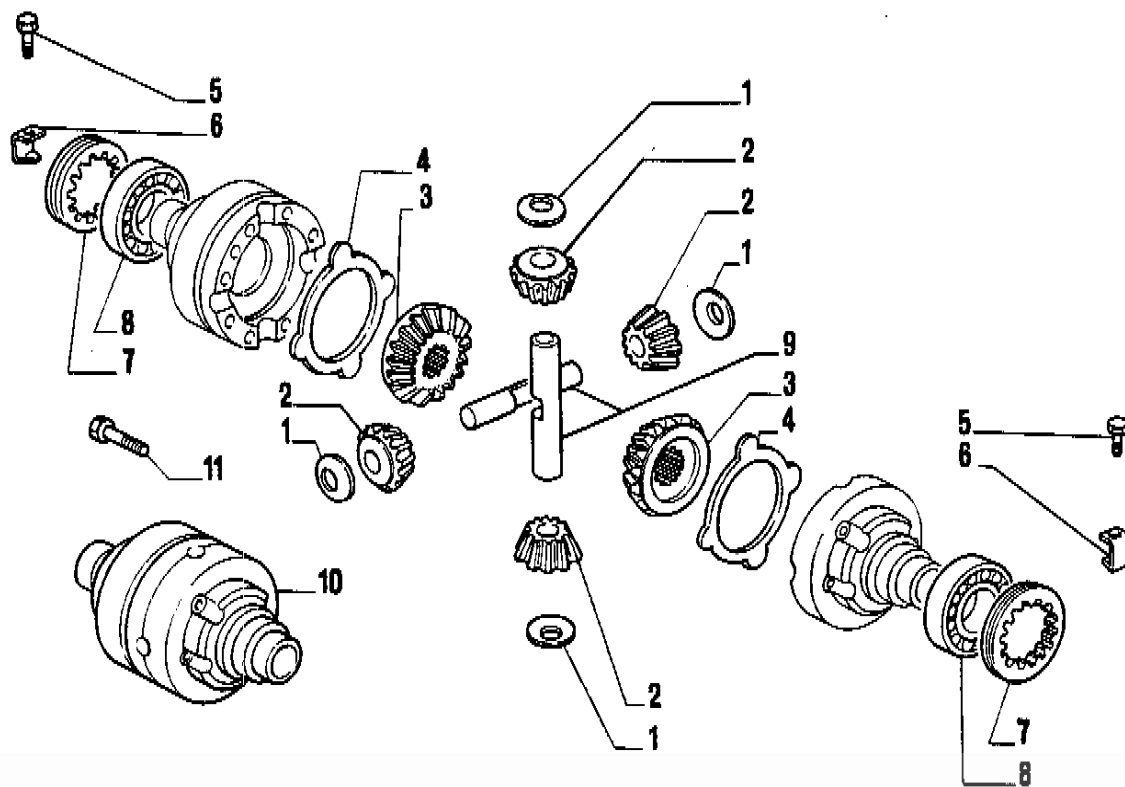
Pos.	Ref.	Q.ty	Description	Pos.	Ref.	Q.ty	Description
1	120226	1	Cylinder	26	127223	2	** Bolt M16x75
2	120306	1	Steering arm Assy (R.H. Threaded)	27	128379	1	* Swivel housing L.H.
3	049001	1	Ball joint (R.H.Thread)	27	128557	1	** Swivel housing L.H.
4	022183	1	Nut M18x1,5				
5	048983	1	Ball joint (R.H. Thread)				
6	123208	2	Oil seal 45x65x12				
7	125390	2	Bush				
8	128904	2	King pin				
9	125921	16	Bolt M12x30				
10	125813	2	Belleville washer				
11	116792	2	* Breather				
12	128378	1	* Swivel housing R.H.				
12	128556	1	** Swivel housing R.H.				
13	128629	2	Belleville washer				
14	128903	2	King pin				
15	022437	2	Nut M18x1,5 (Self Locking)				
16	128534	1	Bolt M12x50				
17	049101	1	Oil seal Kit				
18	049102	1	Cylinder Head				
19	128519	1	* Spacer				
20	048982	1	Ball joint (L.H. Thread)				
21	342646	1	Nut M18x1,5 (L.H. Thread)				
22	049006	1	Ball joint (L.H.Thread)				
23	122449	1	Steering arm Assy (L.H. Threaded)				
24	128278	2	* Bush				
25	022129	2	Nut M.16 5589				
26	124748	2	* Bolt				

\* Only for ref. 128410

\*\* Only for ref. 128411

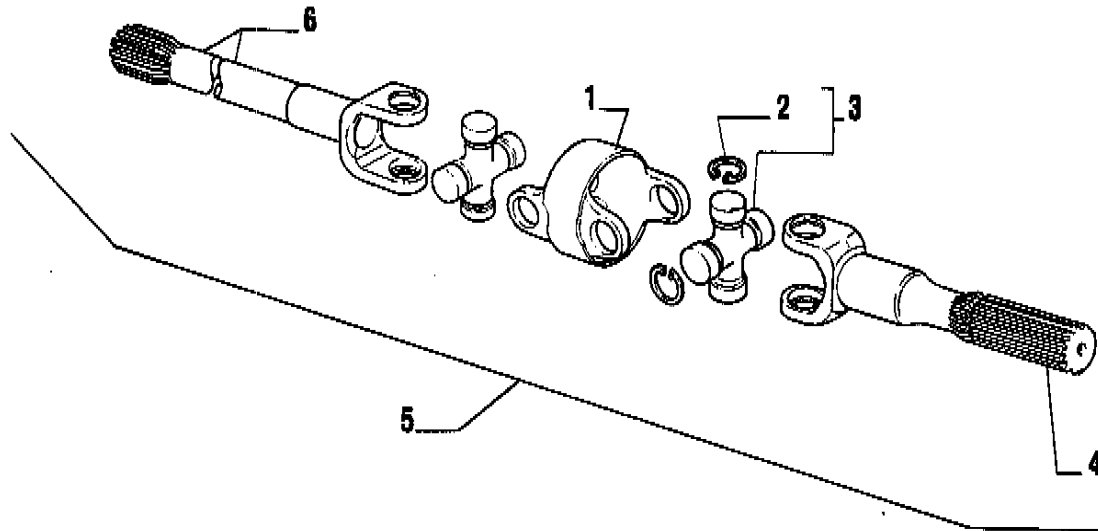
**26.14 E AXLES ref. 128410 - 128411****Bevel gear/pinion set****3.0**

Pos.	Ref.	Q.ty	Description	Pos.	Ref.	Q.ty	Description
1	065671	1	Bevel gear/pinion set Z=18/32				
2	118450	-	Shim 2,50mm				
2	118452	-	Shim 2,60mm				
2	118454	-	Shim 2,70mm				
2	118456	-	Shim 2,80mm				
2	118458	-	Shim 2,90mm				
2	118460	-	Shim 3,00mm				
2	118462	-	Shim 3,10mm				
2	118464	-	Shim 3,20mm				
2	118466	-	Shim 3,30mm				
2	118468	-	Shim 3,40mm				
3	027349	2	Bearing 31307				
4	125830	2	Collapsible spacer				
5	125805	1	Collapsible spacer				
6	118445	1	Ring nut M35x1,5				
7	118446	1	Lockwasher				
8	024785	1	Lockring				
9	129270	1	Flange				
10	118899	1	Oil seal 82x56x15				
11	028171	1	O. ring 2-123				
12	123482	1	Thrust washer				

**26.14 E AXLES ref. 128410 - 128411****Differential****4.0**

Pos.	Ref.	Q.ty	Description	Pos.	Ref.	Q.ty	Description
------	------	------	-------------	------	------	------	-------------

1	107771	4	Thrust washer				
2	107769	4	Pinion				
3	118522	2	Side pinion				
4	120361	2	Thrust washer				
5	128440	2	Screw M6x10 5739 (Self locking)				
6	107778	2	Locking plate				
7	107400	2	Ring nut				
8	027308	2	Bearing 30209				
9	107772	2	Shaft				
10	125014	1	Differential housing				
11	125552	12	Bolt H.H. M10x1,5x75 (Self locking)				

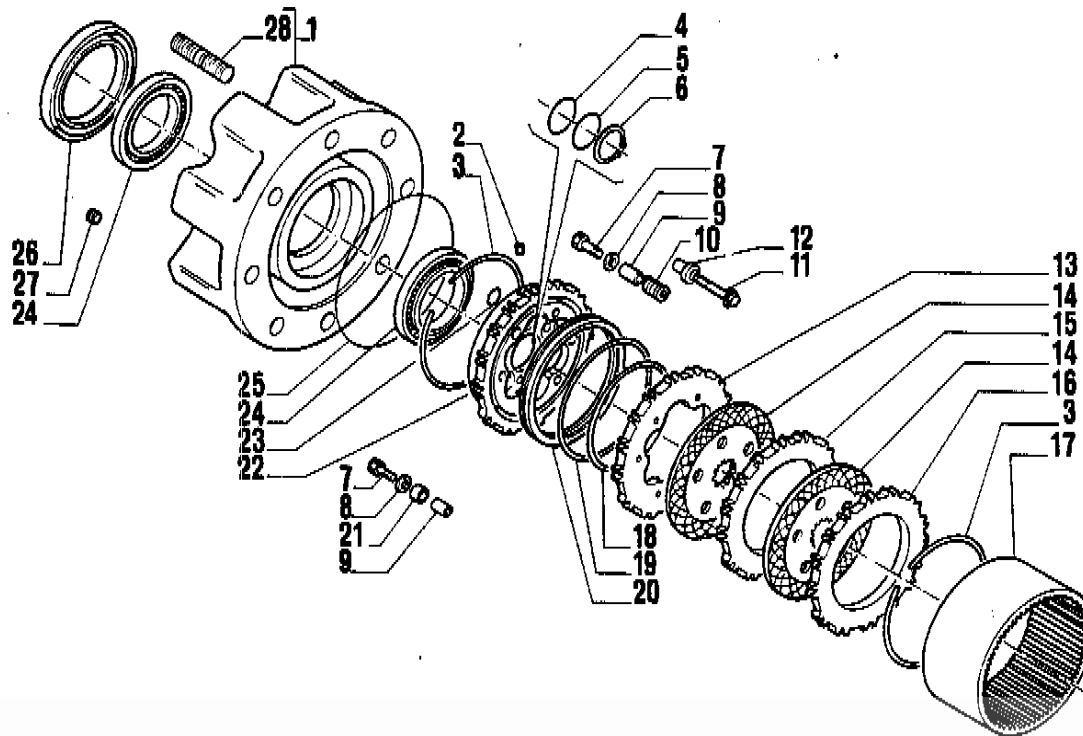
**26.14 E AXLES ref. 128410 - 128411****Drive shaft****5.0**

Pos.	Ref.	Q.ty	Description	Pos.	Ref.	Q.ty	Description
------	------	------	-------------	------	------	------	-------------

1	040871	2	Central body				
2	040875	16	Lock ring				
3	040872	4	Spider				
4	040870	2	** Half shaft (Wheel side)				
4	040891	2	* Half shaft (Wheel side)				
5	127239	2	* Drive shaft				
5	128515	2	** Drive shaft				
6	040892	2	* Half shaft (Differential side)				
6	040904	2	** Half shaft (Differential side)				

\* Only for ref. 128410

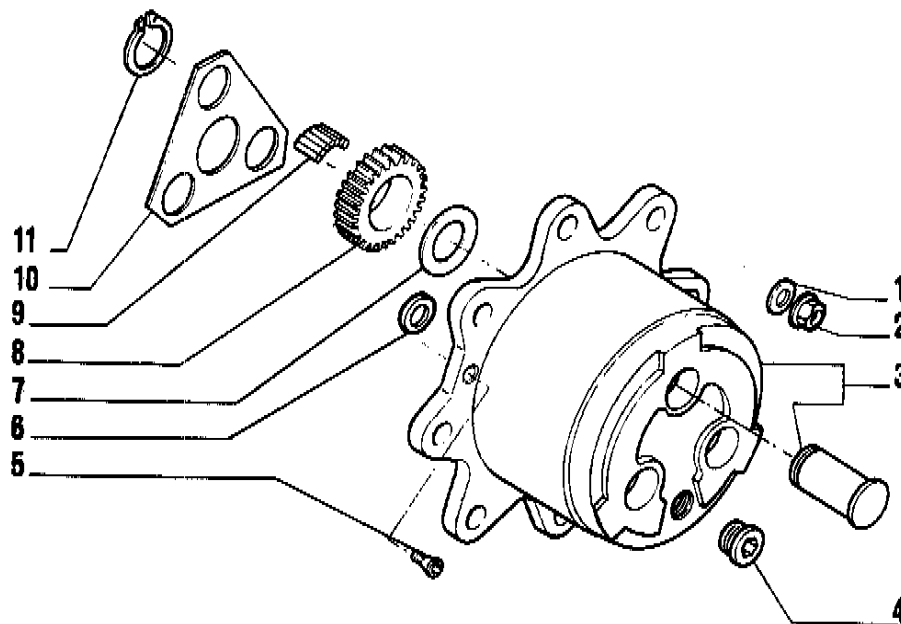
\*\* Only for ref. 128411

**26.14 E AXLES ref. 128410****Brakes****6.0**

Pos.	Ref.	Q.ty	Description	Pos.	Ref.	Q.ty	Description
------	------	------	-------------	------	------	------	-------------

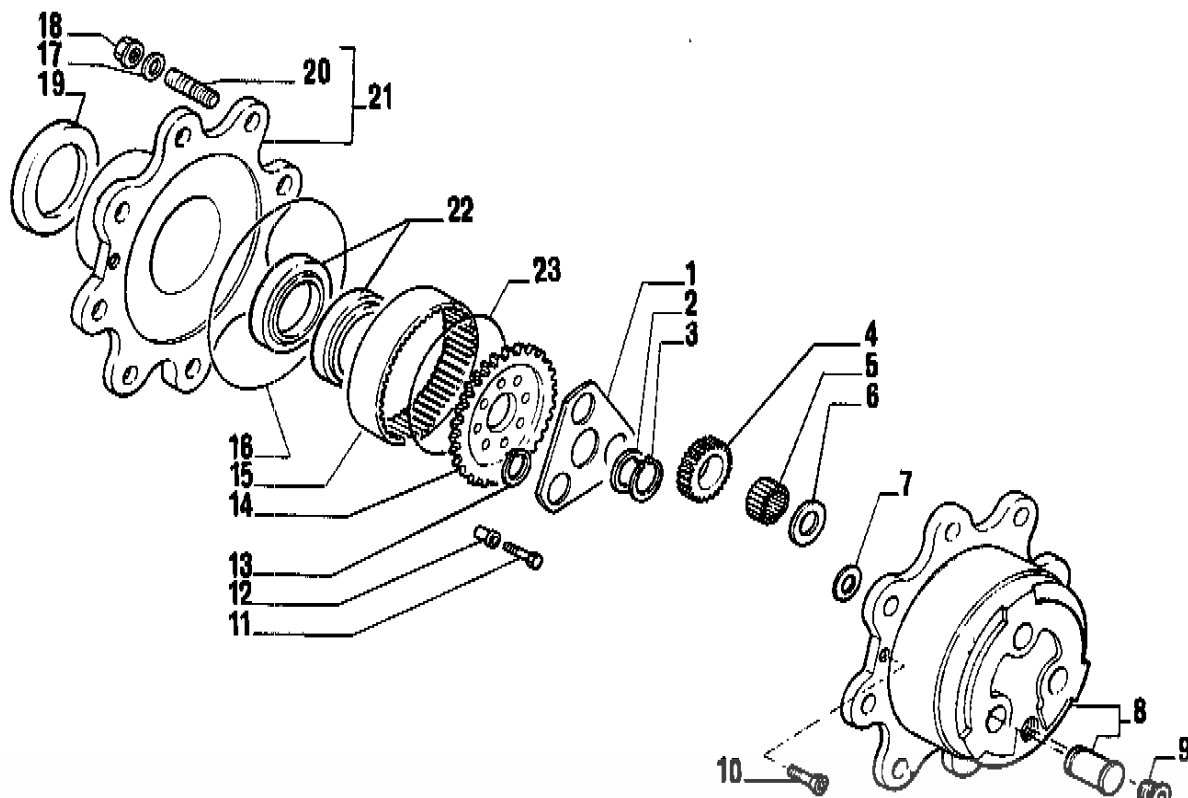
1	065965	2	Wheel hub	28	123563	16	Stud
2	023835	4	Rivet D.6x5,84				
3	125344	4	Locking				
4	127129	2	Thrust washer				
5	127275	2	Thrust washer				
6	024953	2	Snap ring				
7	020754	12	Bolt M6x30 5739				
8	126292	12	Washer D.6,2x17,5x2				
9	126696	12	Bush				
10	126297	6	Spring				
11	128658	12	Bolt M10x40				
12	127994	12	Centering bush				
13	128653	2	Reaction plate				
14	128072	4	Brake disc				
15	126700	2	Reaction plate				
16	126701	2	Reaction plate				
17	126695	2	Crown gear				
18	126659	2	Quadring				
19	126658	2	Quadring				
20	126704	2	Brake piston				
21	123622	6	Split pin D18x20				
22	128659	2	Wheel carrier				
23	028526	2	O. ring 2031				
24	118378	4	Bearing				
25	028603	2	O. ring 2-173				
26	047700	2	Cassette seal				
27	128050	2	Drain plug				



**26.14 E AXLES ref. 128410****Epicyclic reduction gear****7.0**

Pos.	Ref.	Q.ty	Description	Pos.	Ref.	Q.ty	Description
------	------	------	-------------	------	------	------	-------------

1	119505	16	Washer				
2	115812	16	Nut DIN 74361/2B				
3	065937	2	Planetary carrier assy				
4	125280	2	Oil plug				
5	020490	4	Bolt M8x20				
6	120435	2	Thrust washer				
7	115534	6	Thrust washer				
8	125455	6	Planetary gear				
9	028299	18	Needle bearing (by tens)				
10	123318	2	Thrust washer				
11	024789	6	Snap ring D.34				

**26.14 E AXLES ref. 128411****Wheel hub and epicyclic reduction gear****8.0**

Pos.	Ref.	Q.ty	Description	Pos.	Ref.	Q.ty	Description
1	123318	2	Thrust washer				
2	127129	2	Thrust washer				
3	024953	2	Snap ring				
4	125455	6	Planetary gear				
5	028289	18	Needle bearing (by tens)				
6	115634	6	Thrust washer				
7	120435	2	Thrust washer				
8	065587	2	Planetary carrier assy				
9	125280	2	Oil plug				
10	020490	4	Bolt M8x20				
11	128658	10	Bolt M10x40				
12	127994	12	Centering bush				
13	024789	6	Snap ring D.34				
14	128653	2	Wheel carrier				
15	126452	2	Crown gear				
16	028603	2	O. ring 2-173				
17	119505	16	Washer				
18	115812	16	Nut DIN 74361/28				
19	047700	2	Cassette seal				
20	123563	16	Stud				
21	065964	2	Wheel hub				
22	118378	4	Bearing				
23	126344	2	Locking				