



710/19 CARRARO FRONT AXLES Ref. 118562

January 1986

FOR C A S E 580 D

=====

INDEX OF CATALOGUE

1.0 - Axle housing

2.0 - Swivel housings and tie rod

3.0 - Bevel gear - pinion set

4.0 - Differential box

5.0 - Drive shafts

6.0 - Epicyclic reduction gears

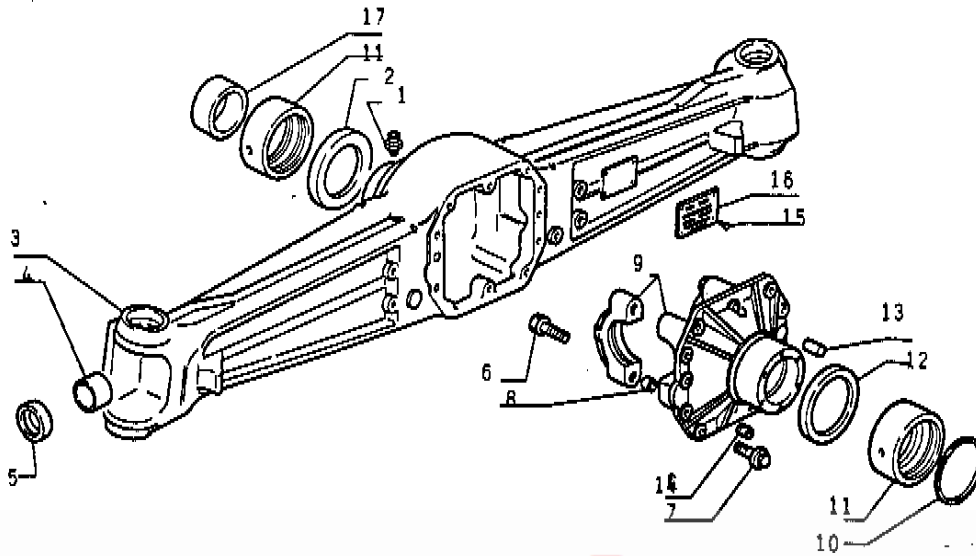
ENTRA GRUPP



AXLE HOUSING  
AXLE REF. 118562

FROM SERIAL  
7S/5021

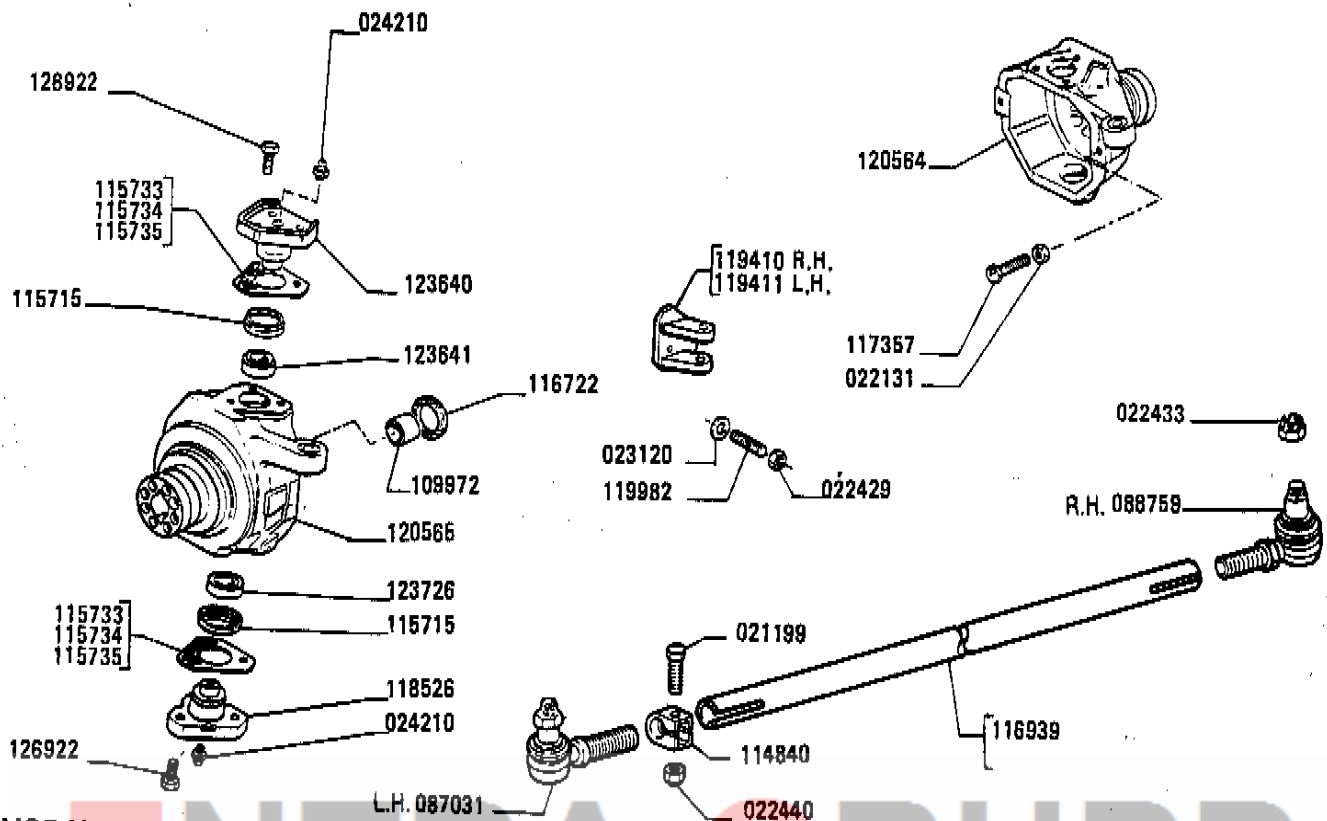
1.1



# ENTRA GRUPP

MODIFICATION N. 3100

Pos.	Ref.	Q.	Description			
1	104988	1	Breather pipe			
2	115776	1	Thrust washer			
3	120563	1	Axle housing			
4	118547	2	Bushing			
5	116723	2	Oil seal "COMBI" 42x62x14			
6	126022	4	Bolt			
7	125827	10	Bolt			
8	72235	4	Centering bush			
9	116392	1	Differential support			
10	028103	1	"O" ring 2-47			
11	101575	2	External bushing			
12	115777	1	Thrust washer			
13	87660	2	Centering pin			
14	92270	2	Refill - lever plug			
15	23828	4	Rivet SIR 3,5x6			
16	115791	1	Plate - identification			
17	101565/1	1	Inner bushing			

**CARRARO AXLE ref. 118562****Swivel Housing and tie rod**

MOD.N.3759

Ref.	Q.ty	Description	Ref.	Q.ty	Description
------	------	-------------	------	------	-------------

021199	2	Screw M16x65	123640	2	King pin
022131	4	Nut M12	123641	2	Bush
022433	2	Nut M16x1,5	123726	2	Spherical bearing
022429	6	Nut M14x1,5A	126922	12	Screw
022440	2	Nut M16x1,5			
023120	6	Lockring D.14			
024210	4	Greaser nipple M6x1			
087031	1	Ball joint (L.H.thread)			
088759	1	Ball joint (R.H.thread)			
109972	2	Bush			
114840	2	Clamp			
115715	4	Oil seal			
115733	-	Shim 0,10mm			
115734	-	Shim 0,19mm			
115735	-	Shim 0,35mm			
116722	2	Oil seal COMBI 35x52x16			
116939	1	Tie Rod			
117357	4	Bolt			
118526	2	King pin			
119410	1	Support RH			
119411	1	Support LH			
119982	6	Stud			
120564	1	Swivel housing R.H.			
120565	1	Swivel housing L.H.			



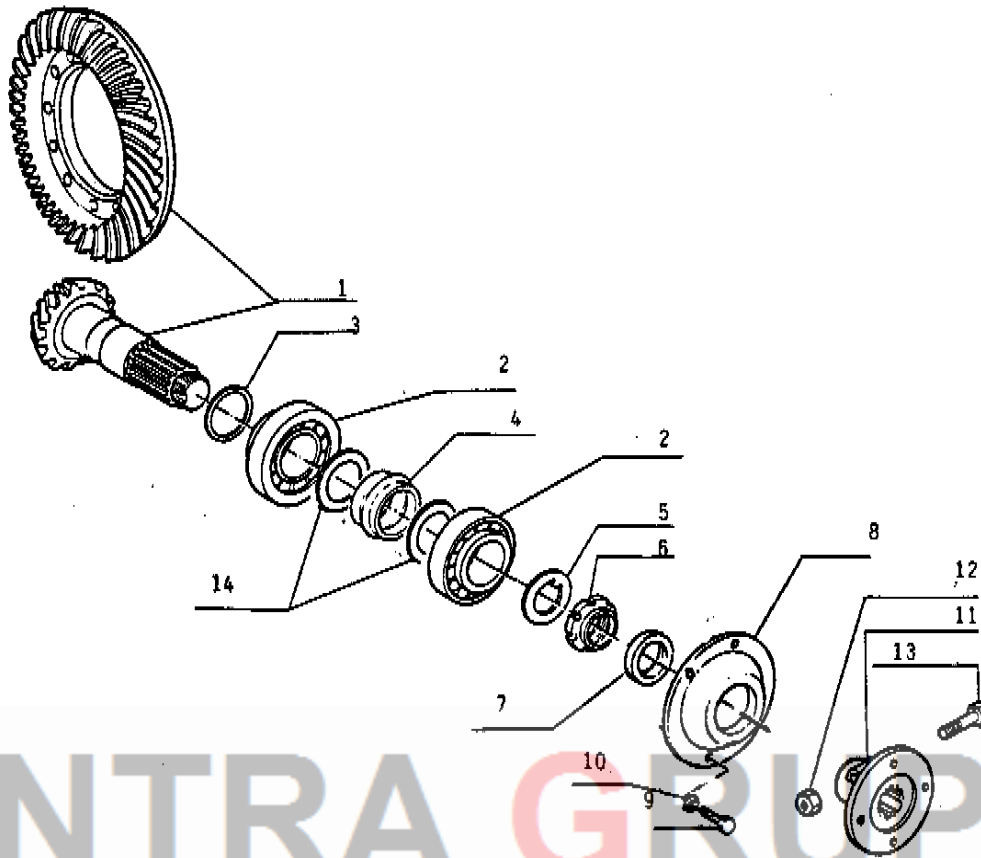
BEVEL GEAR / PINION SET

FROM SERIAL

3.2

AXLE REF. 118562

7S/4912



MODIFICATION N. 2972

Pos.	Ref.	Q	Description	Pos.	Ref.	Q	Description
1	65426	1	Bevel gear pinion set Z = (includes parts position 4 - 5 and 6)	13	21105	2	Bolt H.H. M 10x1,25x60
2	27350	2	Bearing 31308	14	125829	2	Washer
3	98427	-	Spacer 2,50 mm.				
3	98426	-	" 2,60 mm.				
3	98425	-	" 2,70 mm.				
3	98424	-	" 2,80 mm.				
3	98244	-	" 2,90 mm.				
3	98239	-	" 3,00 mm.				
3	98240	-	" 3,10 mm.				
3	98241	-	" 3,20 mm.				
3	98242	-	" 3,30 mm.				
3	98343	-	" 3,40 mm.				
4	123276	1	Collapsible spacer				
5	113717	1	Washer				
6	115054	1	Ring nut				
7	116722	1	Oil seal "COMBI" 35X52X16				
8	116370	1	Cover				
9	20749	6	Bolt H.H. M 6 x 20				
10	22854	6	Washer D 6				
11	116525	1	Flange				
12	22411	2	Locking nut M 10x1,25 A				

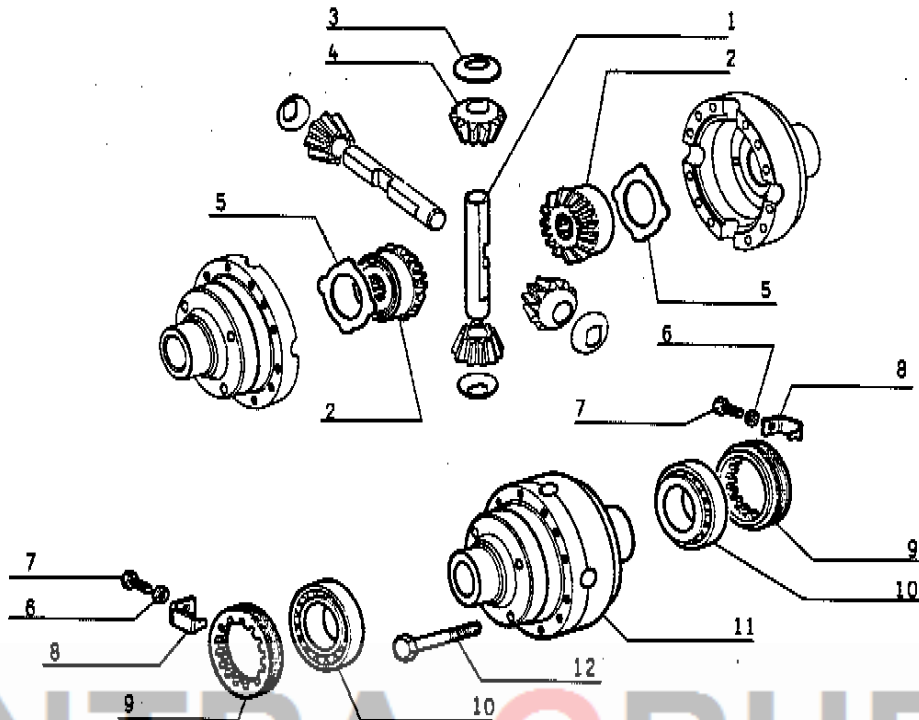


**DIFFERENTIAL BOX**  
AXLE REF. 118562

FROM SERIAL

7S/4700

4.3



**ENTRA GRUPP**  
MODIFICATION N. 3006

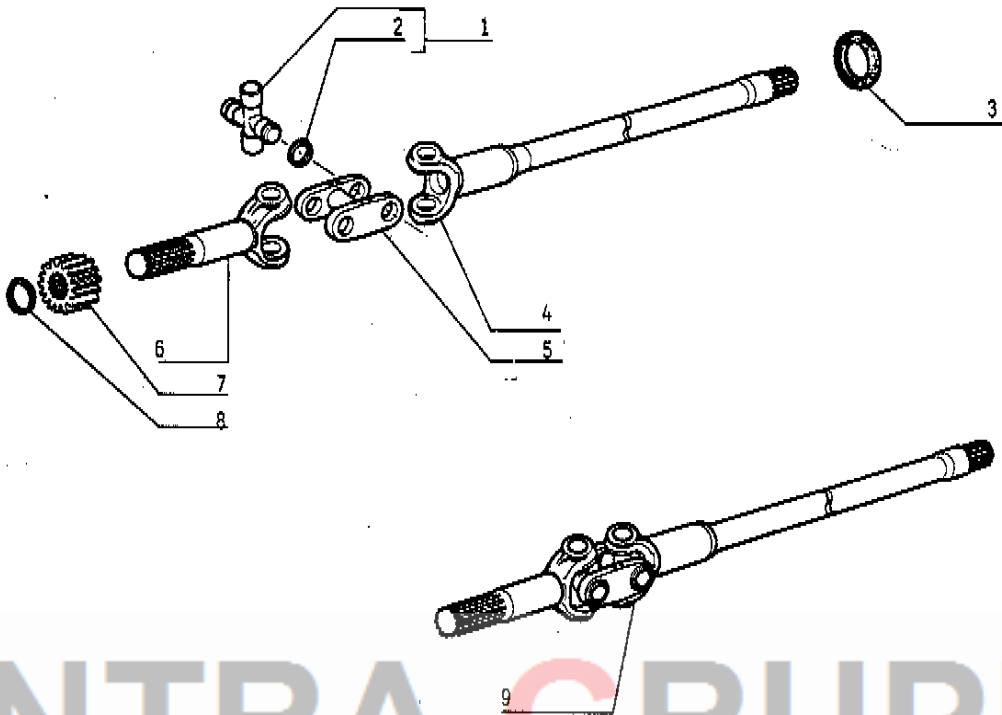
Pos.	Ref.	Q.	Description			
1	116369	2	Pin			
2	120787	2	Pinion			
3	115730	4	Thrust washer			
4	120786	4	Gear			
5	120361	2	Thrust washer			
6	22854	2	Washer D 6			
7	20744	2	Bolt H.H. 8.8 M 6x12			
8	107778	2	Lock plate			
9	107400	2	Ring nut			
10	27309	2	Bearing 30210			
11	125994	1	Differential box			
12	125552	12	Bolt			



DRIVE SHAFTS  
710-19 - 118562

FROM SERIAL  
NO. 3601

5.1

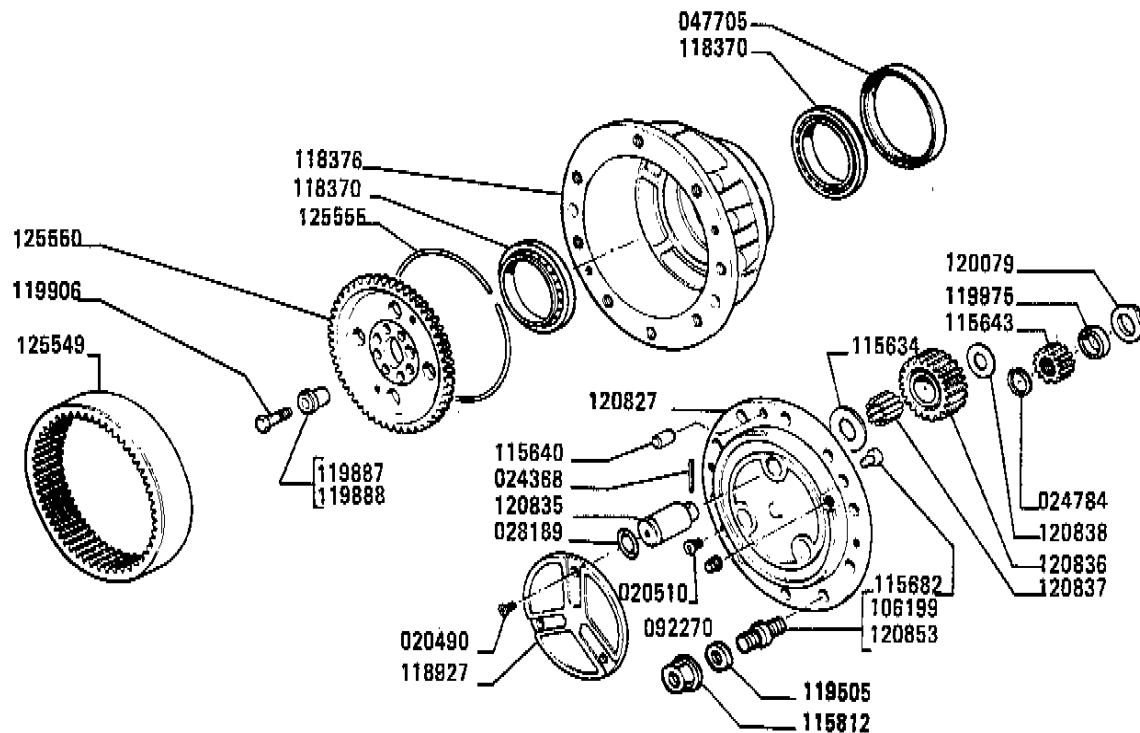


ENTRA GRUPP

Pos.	Ref.	Q.	Description			
1	40825	4	Spider			
2	40822	16	Lockring			
3	116723	2	Oil seal COMBI 42x62x14			
4	40840	2	Fork (Differential side)			
5	40824	2	Double fork			
6	40821	2	Fork (Wheel side)			
7	115643	2	Pinion			
8	24784	2	Lockring D 29 DIN 471			
9	123075	2	Drive shaft			

**CARRARO AXLE ref. 118582****Epscyclic reduction gears**

6.2



MOD. N. 3222

Ref.	Q.ty	Description	Ref.	Q.ty	Description
020490	6	Screw M8X20	120836	6	Planetary carrier
020510	4	Screw M12X30	120837	180	Needle bearing
024368	6	Split pin 04x40	120838	6	Thrust washer
024784	2	Lockring	120853	4	Stud
028189	6	O. ring 2-216	125549	2	Crown gear
047705	2	Cassette seal	125550	2	Wheel carrier
092270	2	Drain plug	125555	2	Lockring
106199	12	Stud			
115834	6	Thrust washer			
115840	4	Pin 18x36			
115843	2	Sun gear			
115882	2	Thrust pin			
115812	16	Nut			
118370	4	Bearing			
118376	2	Wheel Hub			
118927	2	Cover			
119505	16	Washer			
119887	14	Centering bush D.20			
119888	2	Centering bush D.24			
119906	16	Bolt			
119975	2	Spacer			
120079	2	Thrust washer			
120827	2	Planetary carrier			
120835	6	Shaft			